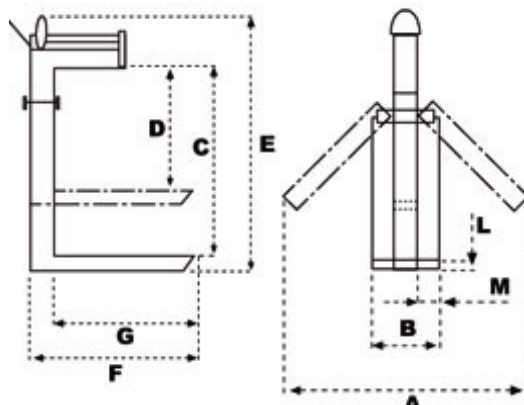


FURCA DE MACARA MODEL MBACR



Self-leveling ends
on request



MODEL	CAPACITATE (kg)	A	B	C*	D	E	F	G	L	M	GREUTATE PROPRIE (kg)
MBACR-10	1000	1600	340	1300	1100	1800	1080	1000	25	90	120
MBACR-15	1500	1600	340	1300	1100	1800	1080	1000	30	90	130
MBACR-20	2000	1600	340	1300	1100	1800	1080	1000	35	100	146